

DS-K1T673DX
Face Recognition Terminal



Face recognition terminal is a kind of access control device. It can be widely applied in multiple scenarios, such as enterprises, stations, dwellings, factories, schools, campus and so on.

- 7-inch LCD touch screen, 2 Mega pixel wide-angle lens
- Recognition distance: 0.3 to 3 m
- Face recognition duration < 0.2 s/User
- Face recognition accuracy rate ≥ 99%
- Built-in M1 card, Felica card, and DESfire card reading module (Presents card on the screen to authenticate)
- Face mask detection
- 10,000 face capacity, 10,000 fingerprint capacity (With fingerprint module), 50,000 card capacity, and 150,000 event capacity
- Supports ISAPI, ISUP 5.0, TCP/IP (IPv4 and IPv6)
- Supports single person and multiple people (Up to 5 people) recognition

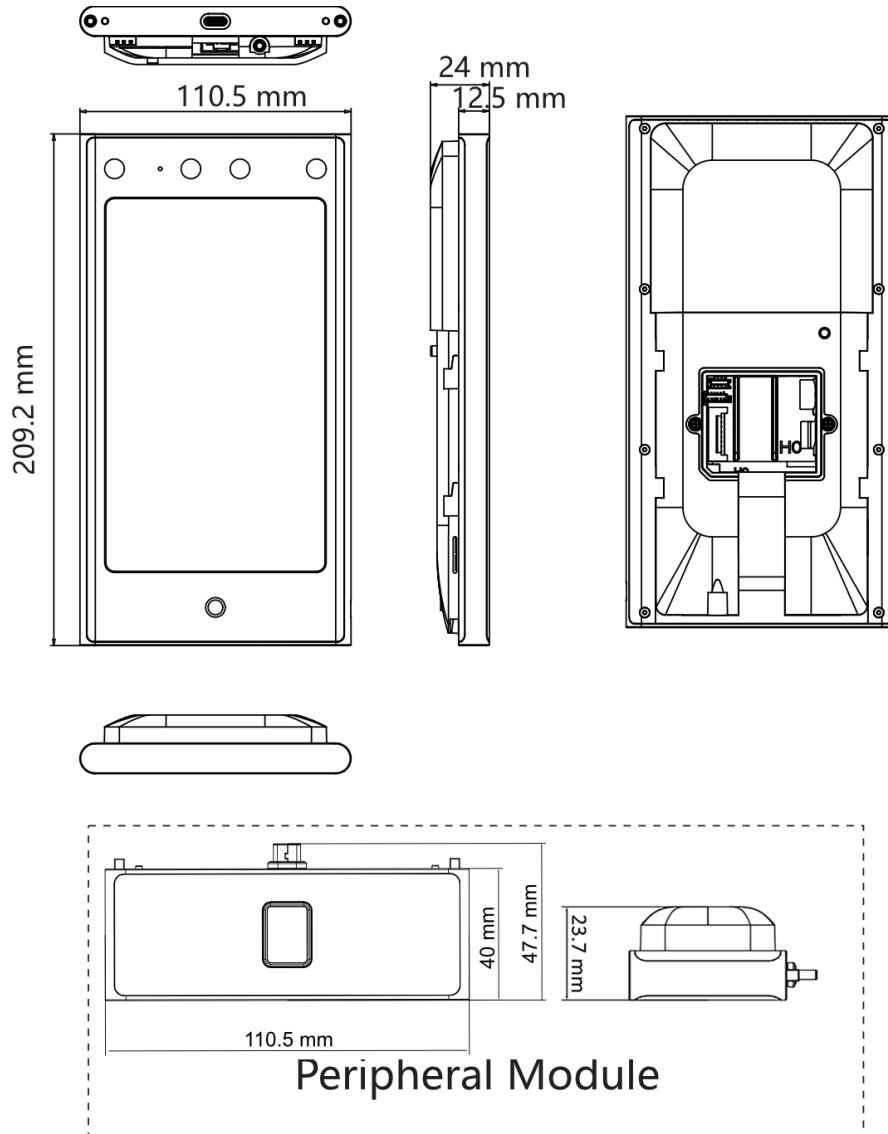
▪ Specification

Display	
Screen size	7 inch
Operation method	Capacitive touch screen
Type	IPS
Video	
Lens	2
Resolution	2 MP
FOV	HFOV= 75.5°; VFOV= 41.5°; DFOV= 87°
Audio	
Audio quality	Built-in omnidirectional microphone
Network	
Wired network	Support
Interface	
Network interface	1 RJ-45, 10/100/1000 M self-adaptive
Lock control	1
Exit button	1
Door contact input	1
Alarm input	2
Alarm output	1
TAMPER	1
RS-485	1 RS-485 (Half duplex, HIKVISION)
Wiegand	1 Wiegand(Hik 26bit,Hik 34bit)
USB	1 (For Module)
Audio output interface	1 (3.5 mm)
Authentication	
Card type	M1 card, DESfire card, Felica card
General	
Power supply	12 VDC to 24 VDC, 2 A
Working temperature	-30 °C to 60 °C (-22 °F to 140 °F)
Working humidity	0 to 90% (no condensing)
Dimensions	110.5 mm × 209.2 mm × 24 mm (4.35" × 8.24" × 0.94")
Weight	Gross Weight: 1.06 kg (2.34 lb)
	Net Weight: 0.57 kg (1.26 lb)
Language	English, Spanish (South America), Arabic, Thai, Indonesian, Russian, Vietnamese, Portuguese (Brazil), Japanese, Korean
Face Recognition Terminal	
Fingerprint capacity	10,000 (With fingerprint module)
Function	
Face anti-spoofing	Support
Audio prompt	
Time synchronization	

▪ Available Model

DS-K1T673DX

▪ Dimension



▪ Accessory

▪ Optional

DS-KAB6-D1 Base Bracket	DS-KAB6-ZU1 Brackets for face terminals	DS-KAB673-FB Peripheral Module	DS-KAB673-FBQR Peripheral Module	DS-KAB673-BQR Peripheral Module
				
DS-KAB673-B Peripheral Module	DS-KAB6-W1 Bracket			
				