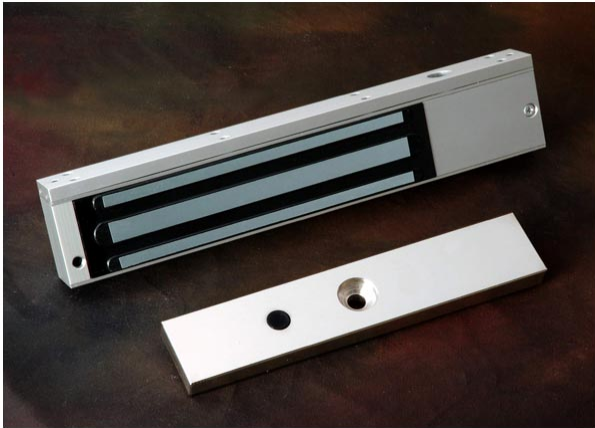
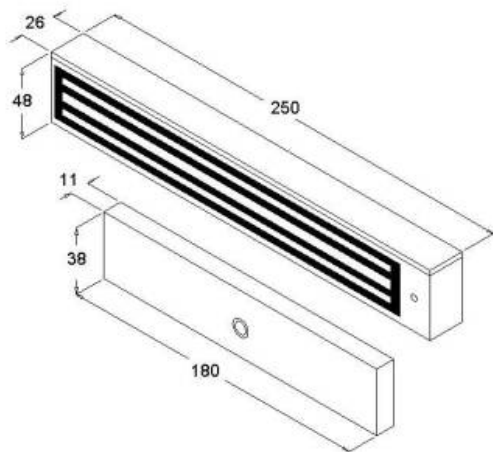


Magnetic Door Lock UL275C-SLN



FEATURES:

1. Holding force : 600lb
2. Anodized aluminum housing
3. Adjustable mounting bracket
4. Voltage : 12 VDC
5. Bond sensor



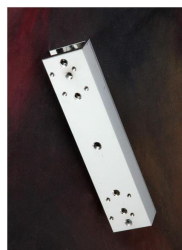
UL275C-SLN :

Magnet Size(mm)	250X42X26
Armature	180X38X11
Holding Force	600 lbs
Current Drain	480mA± 240mA±
Temperature	(-10 to 55)C° (14 to 131)F°

ACCESSORY



275-GG



275-U1



275-ZL