



931 Rama 1 Rd., Patumwan Bangkok 10330

Tel. 02 2162901-5 Fax 02 2162909

SPT ELECTRIC BOLT LOCK

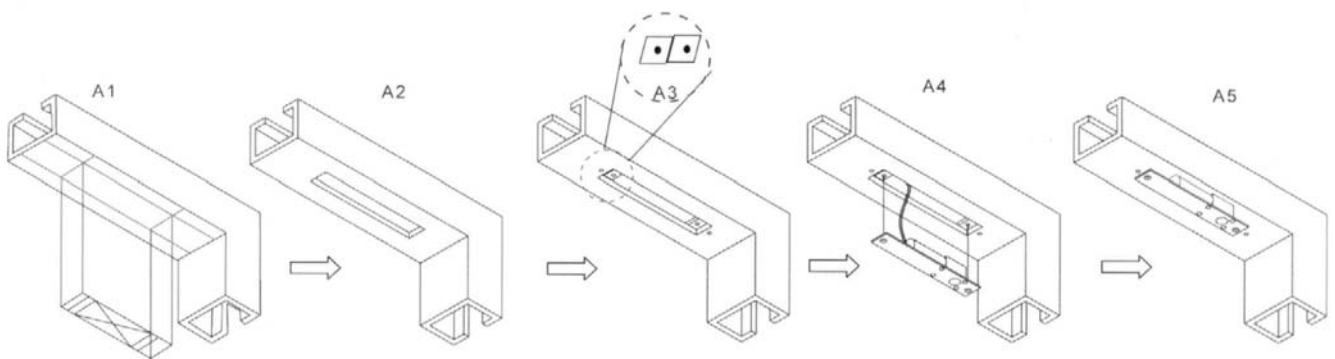
Model : DB-300

SPECIFICATIONS AND DETAILS

Face Plate :	205L x 35W x 41H (mm)
Strike :	90L x 25W x 2H (mm)
Bolt :	16mm DIA Stainless Steel
Voltage :	12Vdc
Operation Current :	950mA
Standby Current :	120mA
Suitable for :	Wooden Door, Glass Door
Time :	0, 2.5, 5, 9 Sec
Fail Safe :	Locked when energized



SUGGESTED INSTALLATION POSITION



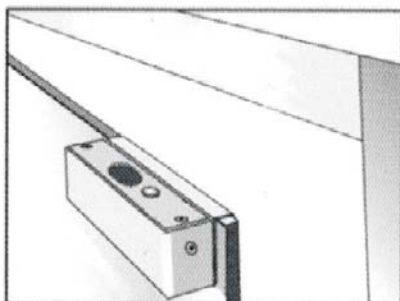
Place lock body template to match with door frame center line.

Cut hole

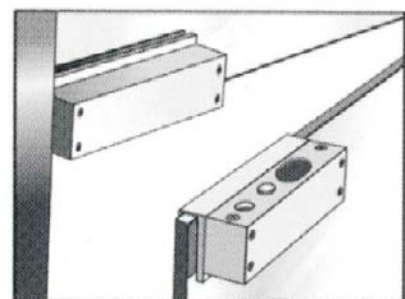
Fix mounting plate (For hollow metal frame)

Connect Wires

Mount lock body on the door frame and test



Full glass door leaf
ABK-600



Full glass door leaf and door frame
ABK-700