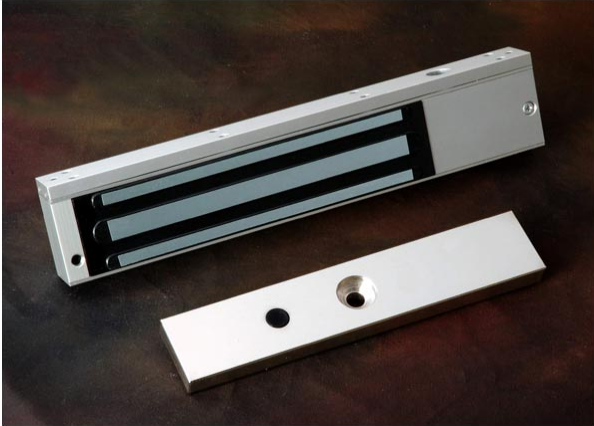




931 Rama 1 Rd., Patumwan Bangkok 10330

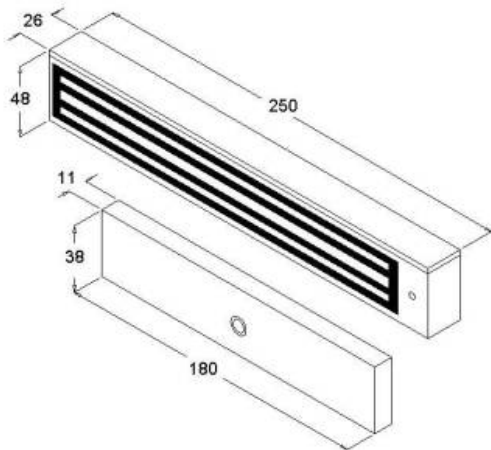
Tel. 02 2162901-5 Fax 02 2162909

Magnetic Door Lock UL275-SL



FEATURES:

1. Holding force : 600lb
2. Anodized aluminum housing
3. Adjustable mounting bracket
4. Dual Voltage : 12 or 24 VDC (selectable)



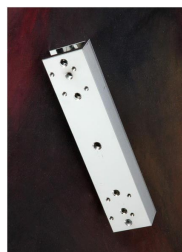
UL275-SL :

| | |
|-----------------|-----------------------------|
| Magnet Size(mm) | 250X42X26 |
| Armature | 180X38X11 |
| Holding Force | 600 lbs |
| Current Drain | 480mA± 240mA± |
| Temperature | (-10 to 55)C° (14 to 131)F° |

ACCESSORY



275-GG



275-U1



275-ZL