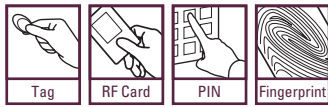


## Fingerprint Identification (Proximity/PIN) Time & Attendance Access Controller

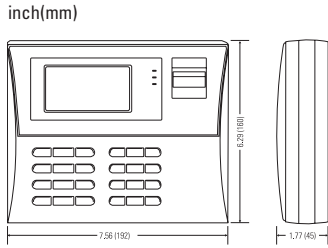
# LX007



LX007



**IDTECK**



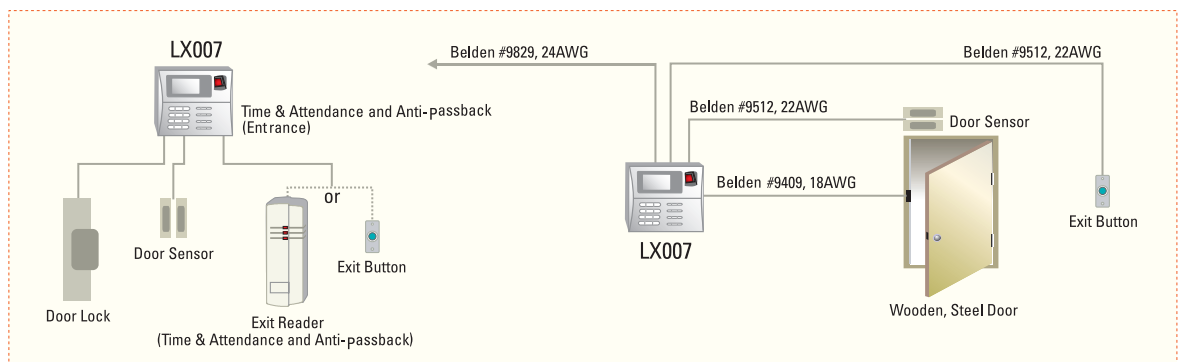
### KEY Features

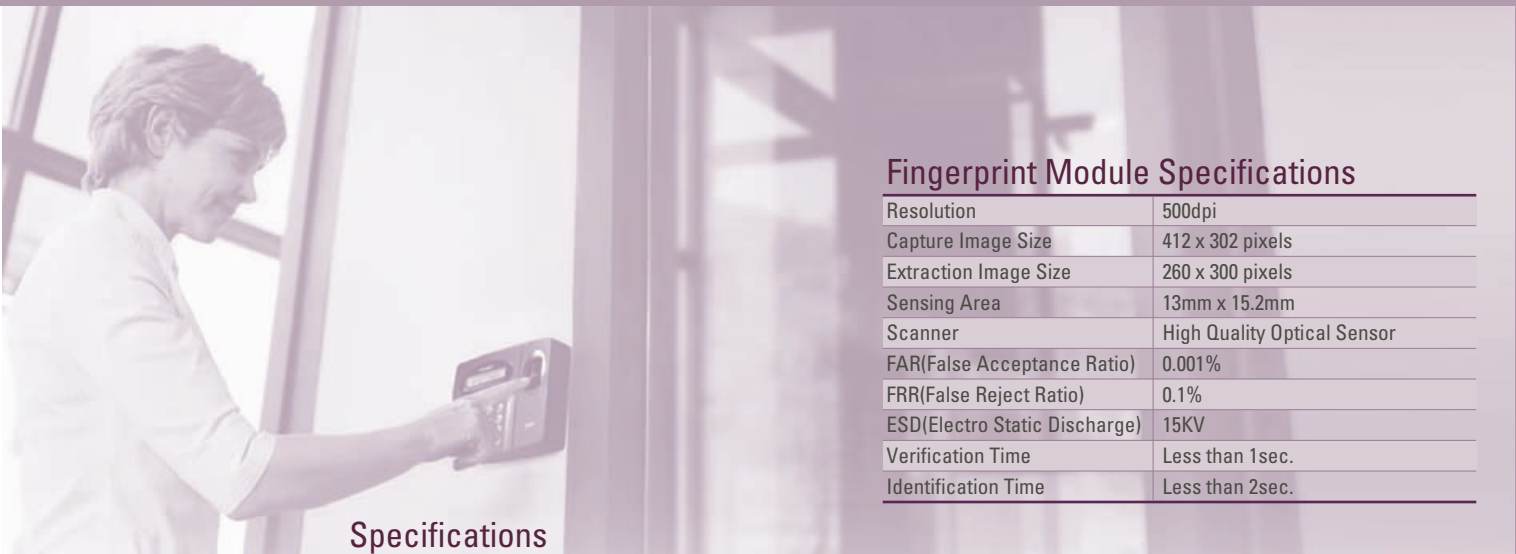
- 125KHz proximity/13.56MHz contactless smart card, PIN and fingerprint recognition
- Dual function for Access Control and Time & Attendance
- 1:1 Verification and 1:N Identification storable 2 or 4 Fingerprint Templates
- Auto Touch Sensor for Fingerprint only Identification
- Fingerprint quality display
- 1,000 / 2,000 / 4,000 Fingerprint Users
- 10,000/20,000 ID Users / 20,000/10,000 Event Buffers (Selectable)
- Up to 10 Fingerprint Master IDs Registration
- Operating Mode selectable by Individual ID
- 4 Level Door Open Time Setting by Individual ID
- Time Schedules Setting by Individual ID, Input Port, Output Port and Reader Mode
- Network Communication via RS232, RS485 and built-in TCP/IP
- 26bit Wiegand Output
- Serial Printer Port for event ticket issuing
- Supervised Input Ports
- User Name Display on LCD
- ARM/DISARM Function for Alarm Panel
- 2 Men Operation Mode
- Duress Alarm Function
- Graphic LCD of Multi Languages Display
- Voice Guide Programmable for Other Language
- Voice announcement Programmable by user via serial communication
- Door Phone Function (Optional)
- Software Selection: STARWATCH TIME PRO 2006, LX ACCESS PRO II

### Time Schedules

- Time Code : 10
- Time Interval : 5
- Holiday Code : 10
- Holiday : 100

### Standalone Configuration





## Fingerprint Module Specifications

Resolution	500dpi
Capture Image Size	412 x 302 pixels
Extraction Image Size	260 x 300 pixels
Sensing Area	13mm x 15.2mm
Scanner	High Quality Optical Sensor
FAR(False Acceptance Ratio)	0.001%
FRR(False Reject Ratio)	0.1%
ESD(Electro Static Discharge)	15KV
Verification Time	Less than 1sec.
Identification Time	Less than 2sec.

## Specifications

Model		LX007	
CPU		32bit ARM9, Dual 8bit and 16bit Microprocessor	
Memory	Fingerprint Module	Program Memory	128KByte ROM
		Data Memory	128KByte / 256KByte / 512KByte Flash Memory
	Controller	Program Memory	256KByte ROM
		Data Memory	512KByte Flash Memory
Fingerprint User		1,000 / 2,000 / 4,000 Fingerprint Users	
Fingerprint Templates Size		808Bytes for 2 Fingerprint Templates / 1616 Bytes for 4 Fingerprint Templates	
ID User		10,000 / 20,000 Users (Selectable)	
Event Buffer		20,000 / 10,000 Event Buffers (Selectable)	
Read Range (125KHz)	Passive Type	IDK50 / IMC125 : Up to 2 inch (5cm), IDC80 / IDC170 : Up to 4 inch (10cm)	
	Active Type	IDA150 / IDA200 Compatible	
Reading Time (Card)		30ms.	
Verification Time / Identification Time		Less than 1sec. / Less than 2sec.	
Power / Current		DC 12V / 650mA Max.	
External Reader Port		1ea : 26bit Wiegand, 4 / 8bit Burst for PIN for Anti-passback	
Communication		RS232 / RS485 (Max.32ch) / TCP/IP (Internal LAN Module Required / Optional)	
Baud Rate		19,200bps (Recommended) / 9,600bps / 38,400bps / 57,600bps (Selectable)	
Input Port		4ea : Exit Button, Door Sensor, Aux#1, Aux#2	
Output Port		2ea : 2 FORM-C Relay Output (COM, NO, NC) / DC12V~18V, Rating Max.2A 2ea : TTL Output / DC5V, Rating Max.20mA, 26bit Wiegand Output Supported by TTL Output	
Printer Port		Serial Port for Connecting Printer (Epson Serial Printer Recommended)	
LCD		Graphic LCD (128 x 64 dots), 72.5mm x 39.5mm (2.85" x 1.56") View area	
Keypad		24 Key Numeric Keypad with Back Lighting (12 Function Key included)	
LCD Display (Language)		English, Spanish, Portuguese (Selectable) Italian, French, Korean, Chinese, Japanese, Arabic, Russian (Optional)	
Voice Output (Language)		English, Spanish, Portuguese, Italian, French, Korean, Chinese, Japanese, Arabic, Russian (Programmable)	
LED Indicator / Beeper		3 Array LED Indicators (Red, Green and Yellow) / Piezo Buzzer	
Operating Temperature	Fingerprint Module	-15° to +40° C (+5° to +104° F)	
	LCD	0° to +50° C (+32° to +122° F)	
	Controller	-15° to +70° C (+5° to +158° F)	
	RF Reader	-35° to +65° C (-31° to +149° F)	
Operating Humidity		10% to 90% Relative Humidity Non-condensing	
Color / Material		Black, Red, Gray, Silver, Dark Gray, Gold, Black & Gold Combo / Polycarbonate	
Weight / Dimension (W x H x T)		800g(1.76lbs) / 192mm x 160mm x 45mm (7.56"x6.29"x1.77")	
Certification		FCC, CE, MIC, RoHS	

## Network Configuration

