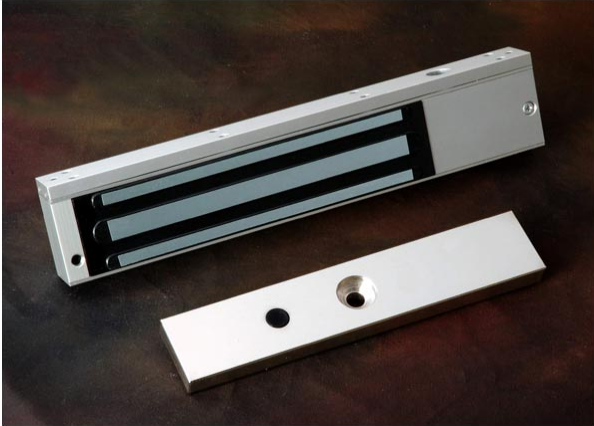




931 Rama 1 Rd., Patumwan Bangkok 10330

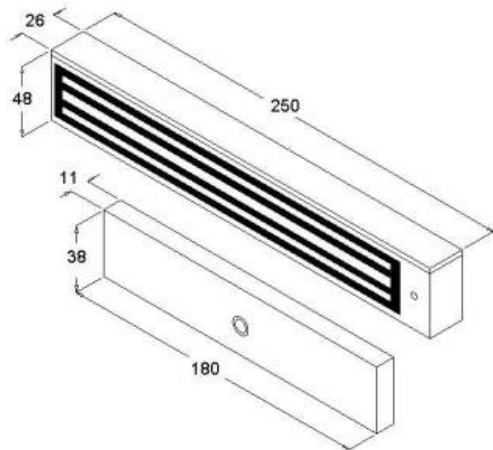
Tel. 02 2162901-5 Fax 02 2162909

Magnetic Door Lock UL275-SL



FEATURES:

1. Holding force : 600lb
2. Anodized aluminum housing
3. Adjustable mounting bracket
4. Dual Voltage : 12 or 24 VDC (selectable)



UL275-SL :

Magnet Size(mm)	250X42X26
Armature	180X38X11
Holding Force	600 lbs
Current Drain	480mA± 240mA±
Temperature	(-10 to 55)C° (14 to 131)F°