

Standalone/Network Proximity Access Controller

PIN & Proximity / PINPAD
Single Door Access Controller

100R/100W

PIN120

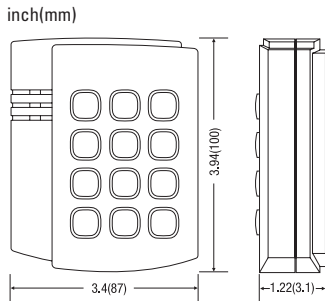
PIN120W



100R / PIN120



100W / PIN120W



KEY Features

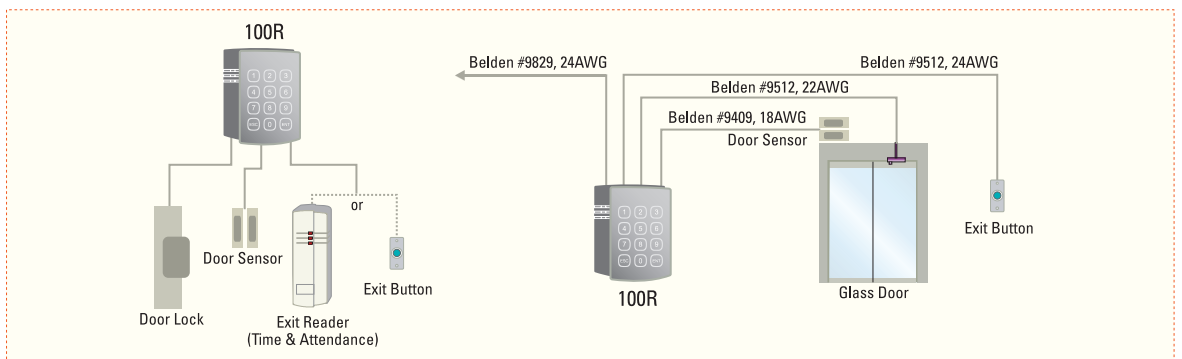
100R/100W

- 125KHz Standalone Proximity & PIN Single Door Access Controller
- 512 Users including One Master Card
- Basic Time & Attendance Function
- 1ea of External Reader Port for Exit: 26bit Wiegand
- Standalone / Network Communication via RS232
- All I/Os and Operation Time Programmable by Keypad
- Independent 5 Inputs and 4 Outputs including 2ea of 2 Form-C Relay Outputs
- Keypad Lock by Try-out Error Alarm Function
- Duress Mode Function
- Toggle Mode for Door Opening / Closing
- Safe (default) / Secure Mode available
- Lock Control by Door Sensor
- Dual Tamper Switches
- Chime Bell Output
- 26bit Wiegand Output for Reader Mode
- Options: 4ch Voice Auto-dialer
- Compatible Software: STAR 100R PRO
- 100W: Weather-proofed

PIN120/120W

- PINPAD Single Door Access Controller
- 512 Users
- User Defined 4~6 digit PIN
- Independent 1 Input and 3 Outputs including 2ea of 2 Form-C Relay Outputs
- Operation Time of All I/Os Programmable by Keypad
- Keypad Lock by Try-out Error Alarm Function
- Chime Bell Output
- Tamper Switch
- PIN120W: Weather-proofed

Standalone Configuration





Comparison Table

100R	Built in 125KHz (4") Standalone Proximity Reader
	RS232 Communication
	RF only / PIN (4~6 digit) only / RF+ P/W (4 digit) / RF or PIN
PIN120	PIN (4~6 digit) only

Specifications

Model	100R(100W)	PIN120(PIN120W)
CPU	Dual 8bit Microprocessor	8bit Microprocessor
Memory	Program Memory	20KByte ROM
	Data Memory	2KByte EEPROM
User	512 Users	
Read Range	Passive Type	IDK50 / IMC125: Up to 2 inch (5cm) IDC80 / IDC170: Up to 4 inch (10cm)
	Active Type	IDA150 / IDA200 compatible
Reading Time (Card)	30ms.	
Power / Current	DC 12V / Max.200mA	DC 12V / Max.160mA
External Reader Port	1ea (26bit Wiegand)	N/A
Communication	RS232	N/A
Input Port	5ea	1ea
	: Exit Button, Door Sensor, Aux#1, Aux#2, Aux#3	: Exit Button
Output Port	2ea (2 Form-C Relay Output (COM, NO, NC) / DC12~18V, Rating Max.2A)	
	1ea (Chime Bell Output / DC5V, Rating Max.500mA)	
	1ea (TTL Output / DC5V, Rating Max.20mA)	N/A
Keypad	12 Key Numeric Keypad with Back Lighting (100W / PIN120W : Membrane)	
LED Indicator	3 Array LED Indicators (Red, Green and Yellow)	
Beeper	Piezo Buzzer	
Operating Temperature	-35° to +65° C (-31° to +149° F)	
Operating Humidity	10% to 90% relative humidity non-condensing	
Color	Dark Pearl Gray	
Material	Polycarbonate	
Dimension (W x H x T)	3.4" x 3.94" x 1.22" (87mm x 100mm x 31mm)	
Weight	210g (0.46lbs)	162g (0.36lbs)
Certification	UL, FCC, CE, MIC	UL, CE

Expansion Configuration

