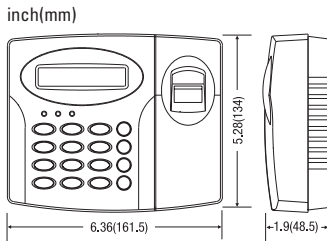
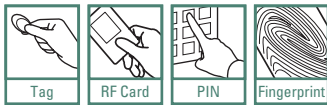


Fingerprint & 13.56MHz  
Contactless Smart Card Reader

# FINGER006SR



FINGER006SR



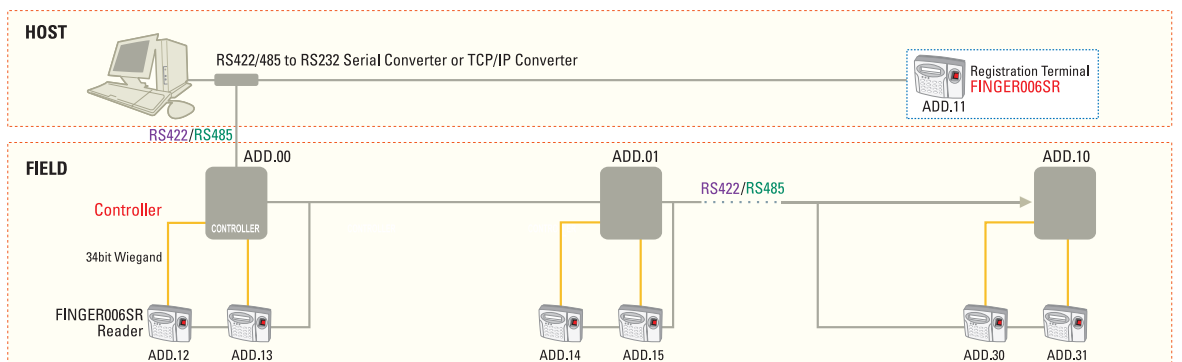
## KEY Features

- 1:1 Verification and 1: N Identification
- Identification Method: by PIN Key (default)  
by Auto Touch Sensor (optional): FINGER006SRA
- 13.56 MHz Contactless Smart Card Reader and Fingerprint Recognition
- ISO14443 type A compatible
- Serial Number Read only
- 1,000 / 2,000 / 4,000 Fingerprint Users
- ID only Function for Fingerprint Unregistrable Person
- Network Communication via RS232 / RS422 / RS485 (Max.255ch),  
TCP/IP (External LAN Converter required)
- 34bit Wiegand and ABA Track II Output Format
- Current Time Display on the LCD
- High Protection from Scratch and ESD (Electro Static Discharge)
- High Quality Optical Sensor
- Dual Tamper Switches
- Mode Selection: SMART only / Fingerprint only / SMART+ P/W (4digit)  
SMART+ Fingerprint / SMART+ P/W (4digit) + Fingerprint
- Options: 1,000 / 2,000 / 4,000 Fingerprint Users  
Auto Touch Sensor for Identification (FINGER006SRA)  
Supervisory Signal
- Compatible Software: STARWATCH DUAL PRO I / II, iTDC PRO I / II
- Compatible Controller: iCON100SR, iTDC-SR  
(34bit Wiegand) Third Party Controller  
FINGER007SR, FACE007SR, SR505

## Comparison Table

FINGER006SR	Built-in 13.56MHz (4") Contactless Smart Card Reader Smart only / Fingerprint only / SMART + P/W (4digit) Smart + Fingerprint / SMART + P/W (4digit) + Fingerprint
FINGER006SRA	FINGER006SR including Auto Touch Sensor for Identification

## Connect IDTECK Contoller with Fingerprint Reader





### Fingerprint Module Specifications

Resolution	500dpi
Capture Image Size	356 x 292 pixels
Extraction Image Size	248 x 292 pixels
Sensing Area	12.7mm x 14.9mm
Scanner	High Quality Optical Sensor
FAR(False Acceptance Ratio)	0.001%
FRR(False Reject Ratio)	0.1%
ESD(Electro Static Discharge)	15KV
Verification Time	Less than 1sec.
Identification Time	Less than 2sec.

### Specifications

Model		FINGER006SR	
CPU		32bit ARM9 and Dual 8bit Microprocessor	
Memory	Fingerprint Module	Program Memory	128KByte Flash Memory
		Data Memory	128KByte / 256KByte / 512KByte Flash Memory
	Controller	Program Memory	64KByte Flash Memory
		Data Memory	512KByte SRAM (Battery back up)
Fingerprint User		1,000 / 2,000 / 4,000 Fingerprint User	
Fingerprint Template Size		800 Bytes for 2 Fingerprint Templates	
Read Range		ISK50 / IHC80 / IMC135: Up to 2 inch (5cm) ISC80: Up to 4 inch (10cm)	
Frequency		13.56MHz	
Reading Time (Card)		30ms.	
Verification Time		Less than 1sec	
Identification Time		Less than 2sec.	
Power / Current		DC 12V / Max.300mA	
Communication		RS232 / RS422 / RS485 (Max.255ch) TCP/IP (External LAN Converter required)	
Baud Rate		9,600bps (default) / 4,800bps, 19,200bps and 38,400bps (selectable)	
Input Port		2ea (Error-Input, OK-Input)	
Output Port		2ea (Error-Output, OK-Output (Open Collector Output))	
Output Format		34bit Wiegand, ABA Track II	
LCD		Character LCD (2 Lines x 16 Char) / 2.62" x 0.55"(65.6mm x 13.8mm) Screen	
Keypad		16 Key Numeric Keypad with Back Lighting	
LED Indicator / Beeper		3 Array LED Indicators (Red, Green and Yellow) / Piezo Buzzer	
Operating Temperature	Fingerprint Module / LCD	-15° to +40° C (+5° to +104° F) / 0° to +50° C (+32° to +122° F)	
	Controller / RF Reader	-15° to +70° C (+5° to +158° F) / -35° to +65° C (-31° to +149° F)	
Operating Humidity		10% to 90% relative humidity non-condensing	
Color / Material		Dark Pearl Gray / Polycarbonate	
Dimension (W x H x T) / Weight		6.36" x 5.28" x 1.9" (161.5mm x 134mm x 48.5mm) / 547g (1.211lbs)	
Certification		UL, FCC, CE, MIC, RoHS	

### Connect Third Party Controller with Fingerprint Reader

