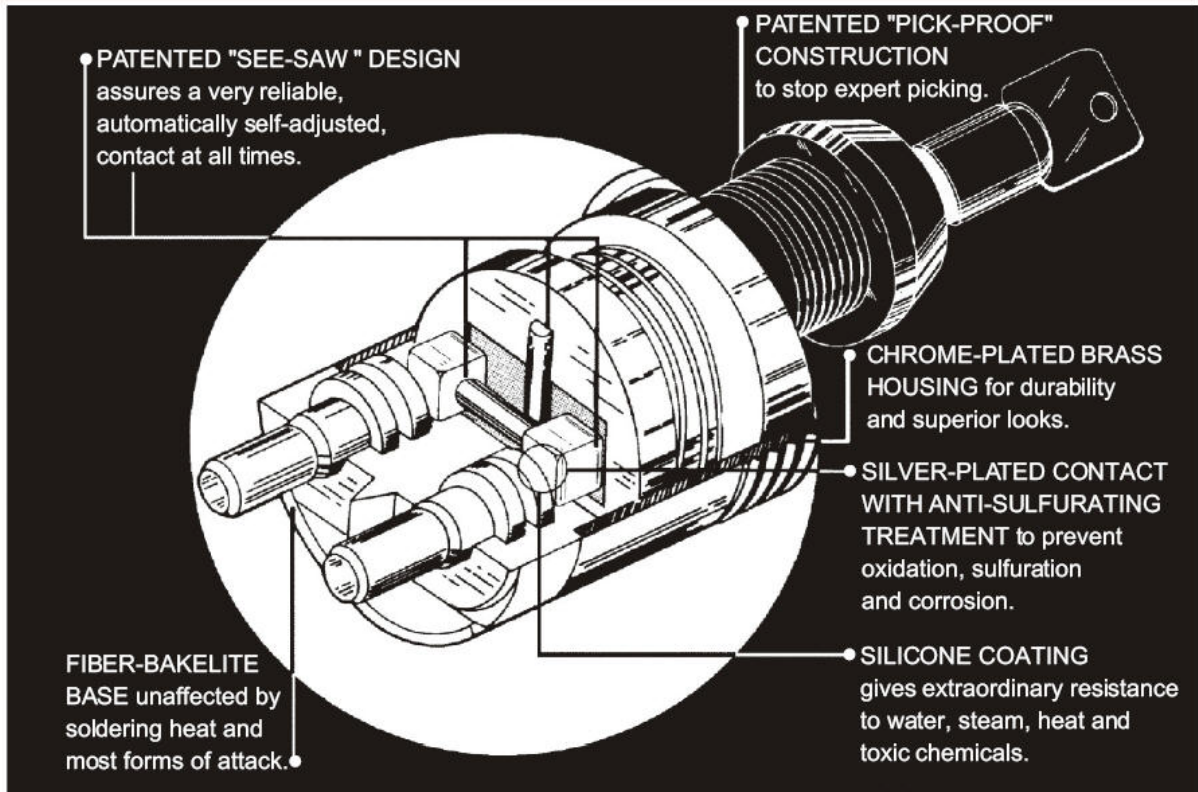




TUBULAR KEY LOCK SWITCH -- GENERAL INFORMATION



OUTSTANDING FEATURES

Ideal for use in residential, commercial, industrial, and vehicle burglar alarm systems, as well as computer systems, data processing equipment, and other types of equipment or machinery that requires operation by authorized personnel only.

Patented "See-Saw" contacts assure a reliable, automatically self-adjusted contact even after the contacts are worn out from prolonged use, or otherwise misaligned by vibration such as uneven road surfaces.

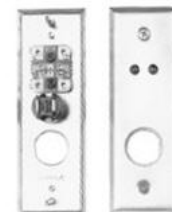
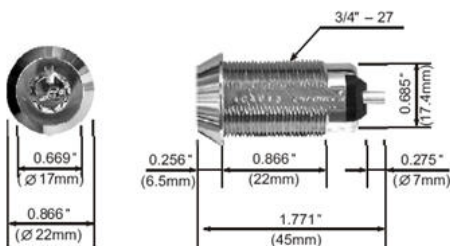
Designed and built to resist expert picking and attacking. Terminal divider between terminals prevents the possibility of shorting wires when making connections.

The fiber-bakelite base is highly resistant to heat; terminals are unaffected by soldering even at 750°F (400°C) for 120 seconds. In addition, fiber bakelite makes the base extremely durable and virtually unaffected by most forms of attack.

Round terminals allow the flexibility of choosing between either solder or crimping connections.

Key prevented from turning 360° and from slipping past the ON and OFF positions.

Chrome-plated brass outer housing combines durability with superior looks.



SS-129-TC

- Stainless-steel slimline plate with red and green LEDs, closed-circuit tamper switch, and 3/4" (19mm) D-hole

บริษัท ตนาบุตร จำกัด 931 ถ.พระราม 1 แขวงวังใหม่ เขตปทุมวัน กรุงเทพฯ 10330

โทร. 02-2150105-8, 02-2160318-21, 02-2162901-5, 02-2160309-14 แฟกซ์ : 02-2162907, 02-2162909

Email: info@tanabutr.co.th URL: www.tanabutr.co.th