

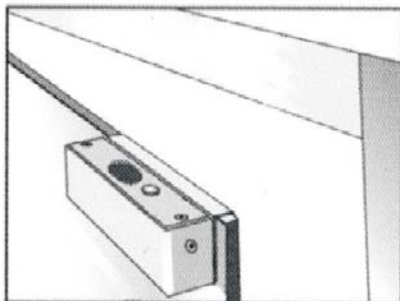
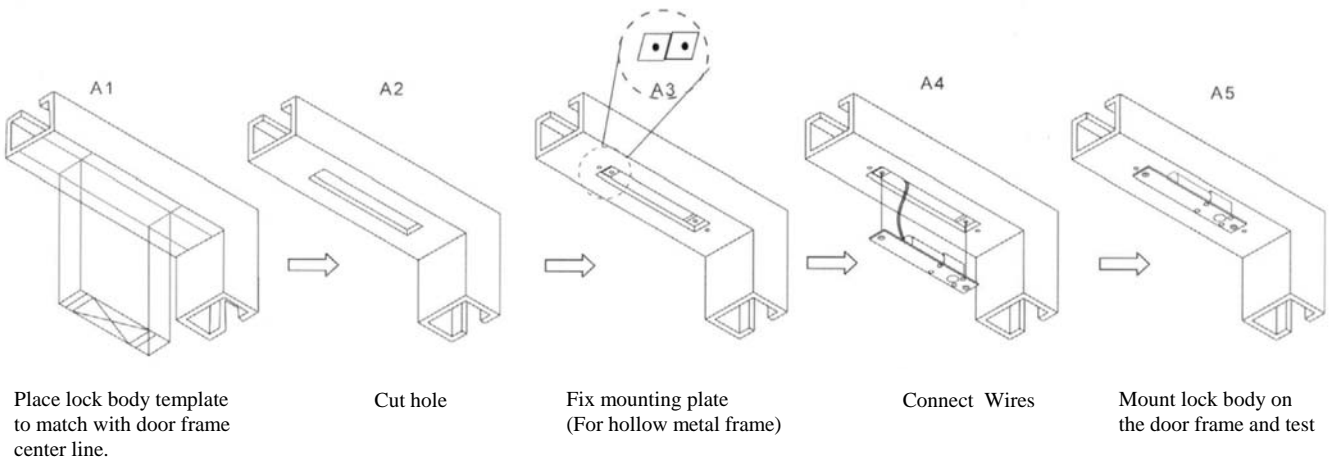
## DB-300 ELECTRIC BOLT

### SPECIFICATIONS AND DETAILS

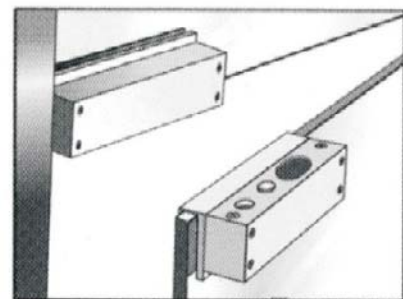


Face Plate :	205L x 35W x 41H (mm)
Strike :	90L x 25W x 2H (mm)
Bolt :	16mm DIA Stainless Steel
Voltage :	12Vdc
Operation Current :	950mA
Standby Current :	120mA
Suitable for :	Wooden Door, Glass Door
Time :	0, 2.5, 5, 9 Sec
Fail Safe :	Locked when energized

### SUGGESTED INSTALLATION POSITION



Full glass door leaf  
**ABK-600**



Full glass door leaf  
and door frame  
**ABK-700**